



## C1000Z 802.11n VDSL2 Wireless Gateway

- **300 mbps 802.11n access point with 5 dBi antennas**
- **Standards based WPS simplifies secure WLAN setup**
- **IPv6 6rd and dual stack support**
- **Auto detect CenturyLink network setting configuration**
- **Remote provisioning, monitoring, and management via TR-069**
- **CenturyLink Standard GUI**

### Benefits

#### VDSL2 High Speed Broadband Access

The C1000Z is based on VDSL2 standards offering fast access to the Internet while maintaining stable connections delivering enough bandwidth to surf the Internet. Heavy multimedia use, such as simultaneously streaming video/audio content and online-gaming, is faster and smoother with the C1000Z.

#### 802.11n Wireless Technology

The C1000Z features 802.11n technology with 5 dBi antennas (2T x 2R) which provides the ultimate solution: improved speed, reduced dead zones, and extended coverage. With data rates of up to 300 Mbps, the C1000Z provides stable and reliable wireless connections for high-speed data and multimedia delivery.

#### Enhanced Security Features Forms Robust Protection

Enhanced security ensures the protection of traffic from the WAN to the LAN. Through ZyXEL's implementation of dual Ethernet firewalls (NAT and SPI), the C1000Z is able to identify and manage malicious content and applications. And, as part of its wireless security design, the C1000Z supports WPA2/WPA/WEP and features a hardware WPS button allowing customers to enjoy easy setup using a simple button. These features simplify the end user's ability to set up and utilize a secure, wireless network.

#### TR-069 Remote Management

The C1000Z provides DSL Forum compliant TR-069 remote management features to ensure faster deployment by Service Providers. In addition, ZyXEL's standard onboard management options, remote provisioning, monitoring, and management features help CenturyLink reduce OPEX while enhancing customer satisfaction.

#### IPv6 Enabled

Many North American carrier networks are migrating from IPv4 to IPv4/IPv6 which creates the potential for stranded equipment unable to support these requirements. Certified as an IPv6-ready vendor for over three years, ZyXEL is a global-provider of equipment supporting dual-stack IP networks and provides this feature on many current ZyXEL products, including the C1000Z.

802.11n Wireless  
VDSL2 Gateway  
C1000Z



VDSL2

TR-069

WPS

IPv6

WPA2 Security

Ethernet  
10/100/1000  
Mbps

802.11 n  
300 Mbps





## Specifications

### System Specifications

#### VDSL Compliance

- ITU-T G.993.1 VDSL1 Annex A
- ITU-T G.993.2 VDSL2 Annex A, band plan 997, 998
- Support VDSL profile: 8a/b/c/d, 12a/b, and 17a
- Rate adaption
- Seamless Rate Adaption (SRA)
- INP: up to 16 symbols
- PTM mode
- G.INP

#### ADSL Compliance

- ITU-T G.992.1 (G.dmt) Annex A compliant
- ITU-T G.992.2 (G.lite) Annex A compliant
- ITU-T G.992.3 (ADSL2) Annex A compliant
- ITU-T G.992.5 (ADSL2+) Annex A compliant
- Reach-Extended ADSL (RE ADSL)
- SRA
- Support VC-based and LLC-based multiplexing

#### WLAN

- IEEE 802.11n compliance, backward compatible with 11b/g
- Frequency operation: 2.4 GHz
- 64/128 bits WEP data encryption
- WPA2/WPA (Wi-Fi Protected Access) security
- 4x SSID support
- Wireless scheduler
- Wi-Fi Multimedia (WMM)
- WPS (Wi-Fi Protected Setup)
- WDS
- MAC Authentication

#### Router

- NAT
- SIP ALG pass-through
- NAT port forwarding
- Dynamic DNS
- DHCP server/client/relay
- RIP I/RIP II support
- UPnP support
- IPv6 (6rd, dual stack IPv4/IPv6, DHCPv6, PPPv6, Static IPv6)
- QoS

#### Firewall

- Stateful Packet Inspection (SPI)
- Denial of Service (DoS) prevention

#### Security

- VPN (IPSec, PPTP) pass-through
- URL blocking

#### Management

- Standard CenturyLink GUI
- TR-064
- TR-069 HTTPS support
- Logs and statistics
- Remote management control: Telnet, FTP, Web, SSH
- CLI command via Telnet/console

#### Hardware Specifications

- VDSL2 port (Green): 1 x RJ-14
- Phone port (Black): 1 x RJ-14
- Power input (12 V DC 0.5 A)
- Reset button
- WPS button
- Two 5 dBi internal antennas

### Physical Specifications

- Item weight: 0.8 lbs (362 g)
- Item dimensions:
  - 7.5 (L) x 5 (W) x 1.5 (H) mm
  - 190 (L) x 127 (W) x 37 (H) mm
- Item and package weight: 1.9 lbs (861 g)
- Package dimensions:
  - 10 (L) x 8.25 (W) x 2.38 (H) inch
  - 254 (L) x 210 (W) x 60 (H) mm

### Environmental Specifications

#### Operating Environment

- Temperature: 0°C to 40°C
- Humidity: 20% to 85% RH (Non-condensing)

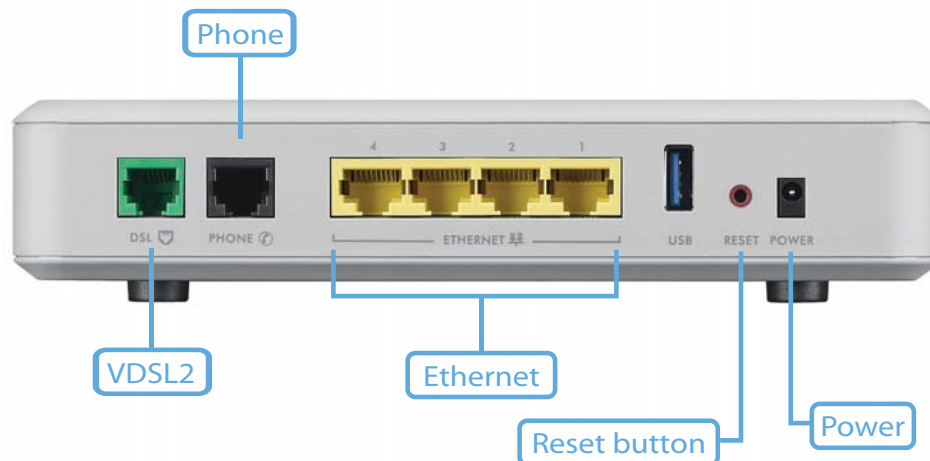
#### Storage Environment

- Temperature: -20°C to 60°C
- Humidity: 20% to 90% RH (Non-condensing)

### Certification

- UL 60950-1
- FCC Part 15 (Class B), Part 68
- UPnP
- WPS 2.0
- K.21

## Rear Panel



For more product information, visit us on the web at [www.ZyXEL.com](http://www.ZyXEL.com)



Copyright © 2013 ZyXEL Communications Corp. All rights reserved. ZyXEL, ZyXEL logo are registered trademarks of ZyXEL Communications Corp. All other brands, product names, or trademarks mentioned are the property of their respective owners. All specifications are subject to change without notice.